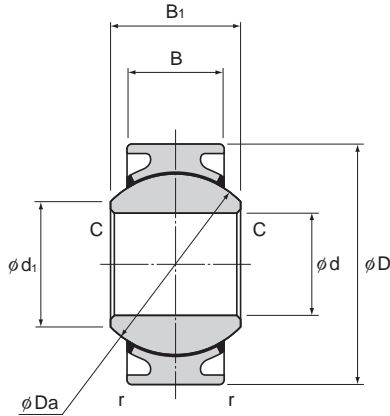


Model NB-T (No Lubrication Type)



Unit: mm

Model No.	Outer dimensions						Ball diameter Da mm (inch)	Permissible tilt angles			Static applied load Radial Cs N	Mass g
	Inner diameter d H7	Outer diameter D h7	Outer ring width B ±0.1	Inner ring width B1 0 -0.1	d1	C, r		α1°	α2°	α3°		
	NB 14T	14	34	13.5	19	16.9		0.7	25.4(1)	10		
NB 16T	16	38	15	21	19.4	0.7	28.575(1 1/4)	9	15	24	25200	111
NB 18T	18	42	16.5	23	21.9	0.7	31.75(1 1/4)	9	15	24	30800	160
NB 20T	20	46	18	25	24.4	0.7	34.925(1 3/8)	9	15	24	36900	210
NB 22T	22	50	20	28	25.8	0.7	38.1(1 1/2)	10	15	23	44800	265

[Material]

Outer ring : S35C
Spherical inner ring : SUJ2, 58 HRC or higher

(Hard chrome plated except for the inner surface of the inner ring)

Bush : Self-lubricating synthetic resin

[Fitting with the Shaft]

For the fitting between the shaft and the housing, the following values are recommended.

Condition		Shaft	Housing
Inner ring rotational load	Normal load	m6	H7
	Indeterminate load	n6	
Outer ring rotational load	Normal load	h7	M7
	Indeterminate load	k6	

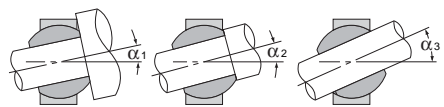
[Clearance]

Unit: mm

Radial clearance	0.035 or less
Axial clearance	0.1 or less

[Initial Lubrication]

This model can be used without lubrication. However, if desiring to provide initial lubrication, apply oil or grease to the spherical area.



Permissible Tilt Angles