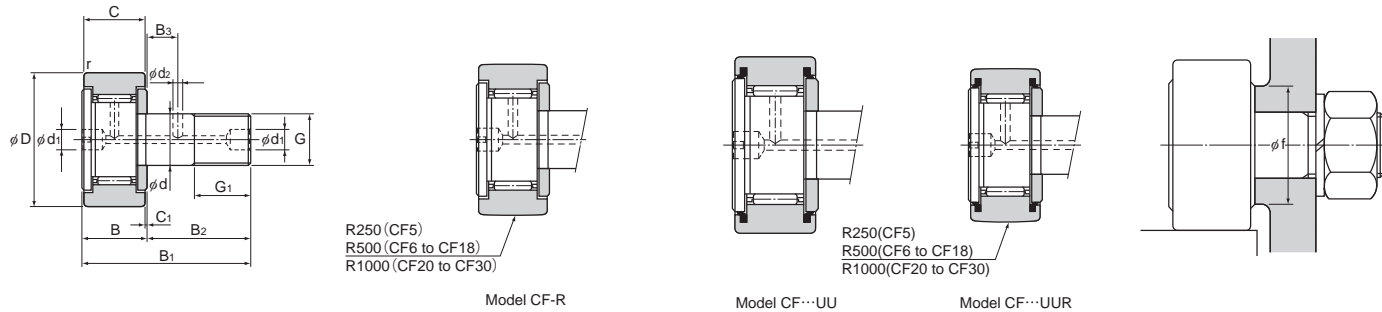


Model CF (Popular Type (Cylindrical Outer Ring)), Model CF-M (Stainless Steel Type), Model CF-R (Popular Type (Spherical Outer Ring)), Model CF-MR (Stainless Steel Type)



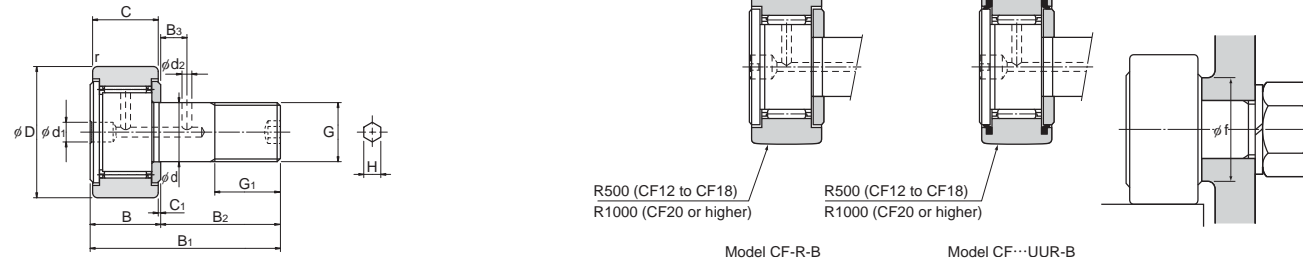
Stud diameter d	Model No.	Main dimensions													Shoulder height f (Min.)
		Outer diameter D	Outer ring width C	Threaded G	G ₁	B	B ₁	B ₂	B ₃	C ₁	d ₁	d ₂	r _{min}		
12	CF 12	30	14	M12×1.5	13	15	40	25	6	0.6	6	3	0.6	20	
12	CF 12-1	32	14	M12×1.5	13	15	40	25	6	0.6	6	3	0.6	20	
16	CF 16	35	18	M16×1.5	17	19.5	52	32.5	8	0.8	6	3	0.6	24	
18	CF 18	40	20	M18×1.5	19	21.5	58	36.5	8	0.8	6	3	1	26	
20	CF 20	52	24	M20×1.5	21	25.5	66	40.5	9	0.8	8	4	1	36	
20	CF 20-1	47	24	M20×1.5	21	25.5	66	40.5	9	0.8	8	4	1	36	
24	CF 24	62	29	M24×1.5	25	30.5	80	49.5	11	0.8	8	4	1	40	
24	CF 24-1	72	29	M24×1.5	25	30.5	80	49.5	11	0.8	8	4	1	40	
30	CF 30	80	35	M30×1.5	32	37	100	63	15	1	8	4	1	46	
30	CF 30-1	85	35	M30×1.5	32	37	100	63	15	1	8	4	1	46	
30	CF 30-2	90	35	M30×1.5	32	37	100	63	15	1	8	4	1	46	

Note) The seal must be used at temperature of 80°C or below.
Those models marked with "*" have a greasing hole only on the head.

Basic load rating				Maximum permissible load F ₀	Track load capacity		Rotational speed limit *		Mass	
With cage		Full rollers			Cylindrical outer ring	Spherical outer ring	With cage	Full rollers	With cage	Full rollers
C kN	C ₀ kN	C kN	C ₀ kN	kN	kN	kN	min ⁻¹	min ⁻¹	g	g
7.87	9.79	13.4	19.8		9.37	7.06	2.45	14000	5800	95
7.87	9.79	13.4	19.8	9.37	7.45	2.74	14000	5800	105	107
12	18.3	20.6	37.6	17.3	11.2	3.14	10000	4500	170	173
14.7	25.2	25.2	51.3	26.1	14.4	3.72	8500	3800	250	255
20.7	34.8	33.2	64.8	32.1	23.2	8.23	7000	3400	460	465
20.7	34.8	33.2	64.8	32.1	21	7.15	7000	3400	385	390
30.6	53.2	46.7	92.9	49.5	34.2	10.5	6500	2900	815	820
30.6	53.2	46.7	92.9	49.5	39.8	12.9	6500	2900	1140	1140
45.4	87.6	67.6	145	73.7	52.6	14.9	5000	2300	1870	1870
45.4	87.6	67.6	145	73.7	56	16.1	5000	2300	2030	2030
45.4	87.6	67.6	145	73.7	59.3	17.3	5000	2300	2220	2220

Note) The rotation speed limit value in the table (*) applies to models that have no seal and use grease lubrication. With those models using oil lubrication, up to 130% of this value is permitted. With those attached with seals, up to 70% of this value is permitted.

Model CF-B (Cam Follower with Hexagon Socket (Cylindrical Outer Ring)), Model CF-M-B (Made of Stainless Steel), Model CF-R-B (Cam Follower with Hexagon Socket (Spherical Outer Ring)), Model CF-MR-B (Made of Stainless Steel)



Stud diameter d	Model No.	Main dimensions														Shoulder height
		Outer diameter D	Outer ring width C	Threaded G	G ₁	B	B ₁	B ₂	B ₃	C ₁	d ₁	d ₂	H*	r _{min}		
12	CF 12-B	30	14	M12×1.5	13	15	40	25	6	0.6	6	3	6	0.6	20	
12	CF 12-1-B	32	14	M12×1.5	13	15	40	25	6	0.6	6	3	6	0.6	20	
16	CF 16-B	35	18	M16×1.5	17	19.5	52	32.5	8	0.8	6	3	6	0.6	24	
18	CF 18-B	40	20	M18×1.5	19	21.5	58	36.5	8	0.8	6	3	6	1	26	
20	CF 20-B	52	24	M20×1.5	21	25.5	66	40.5	9	0.8	8	4	8	1	36	
20	CF 20-1-B	47	24	M20×1.5	21	25.5	66	40.5	9	0.8	8	4	8	1	36	
24	CF 24-B	62	29	M24×1.5	25	30.5	80	49.5	11	0.8	8	4	8	1	40	
24	CF 24-1-B	72	29	M24×1.5	25	30.5	80	49.5	11	0.8	8	4	8	1	40	
30	CF 30-B	80	35	M30×1.5	32	37	100	63	15	1	8	4	8	1	46	
30	CF 30-1-B	85	35	M30×1.5	32	37	100	63	15	1	8	4	8	1	46	
30	CF 30-2-B	90	35	M30×1.5	32	37	100	63	15	1	8	4	8	1	46	

Basic load rating				Maximum permissible load F ₀	Track load capacity		Rotational speed limit *		Mass	
With cage		Full rollers			Cylindrical outer ring	Spherical outer ring	With cage	Full rollers	With cage	Full rollers
C kN	C ₀ kN	C kN	C ₀ kN	kN	kN	kN	min ⁻¹	min ⁻¹	g	g
7.87	9.79	13.4	19.8		9.37	7.06	2.45	14000	5800	95
7.87	9.79	13.4	19.8	9.37	7.45	2.74	14000	5800	105	107
12	18.3	20.6	37.6	17.3	11.2	3.14	10000	4500	170	173
14.7	25.2	25.2	51.3	26.1	14.4	3.72	8500	3800	250	255
20.7	34.8	33.2	64.8	32.1	23.2	8.23	7000	3400	460	465
20.7	34.8	33.2	64.8	32.1	21	7.15	7000	3400	385	390
30.6	53.2	46.7	92.9	49.5	34.2	10.5	6500	2900	815	820
30.6	53.2	46.7	92.9	49.5	39.8	12.9	6500	2900	1140	1140
45.4	87.6	67.6	145	73.7	52.6	14.9	5000	2300	1870	1870
45.4	87.6	67.6	145	73.7	56	16.1	5000	2300	2030	2030
45.4	87.6	67.6	145	73.7	59.3	17.3	5000	2300	2220	2220

Note) "*" indicates that the dimensions in the parentheses in this row apply to stainless steel types.
The rotation speed limit value in the table (*) applies to models that have no seal and use grease lubrication. With those models using oil lubrication, up to 130% of this value is permitted. With those attached with seals, up to 70% of this value is permitted.